



BLOOM

BLOOM

Incredibly generous seating proportions meet curvaceous design and enviable comfort levels. Optimise further with a choice of two base options and a wide range of fabric choices for the upholstered seat.

Standard Features

- Polypropylene shell
- Wood legs or chrome sled frame
- Stocked in grey, white and black



BLOOM - BL-WF



BLOOM - BL-TL



BL-TL - FABRIC UPHOLSTERY



BL-WF - VINYL UPHOLSTERY

BLOOM



BL-TL

Polypropylene chair with upholstered seat pad and four legged wood frame

DIMENSIONS

WIDTH 600mm
 DEPTH 600mm
 SEAT HEIGHT 450mm
 OVERALL HEIGHT 740mm

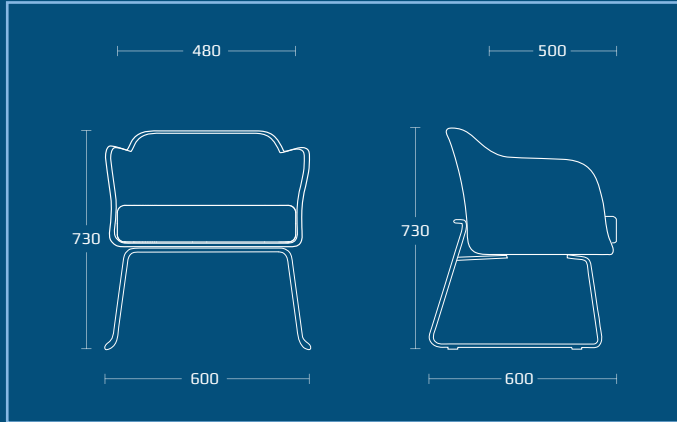
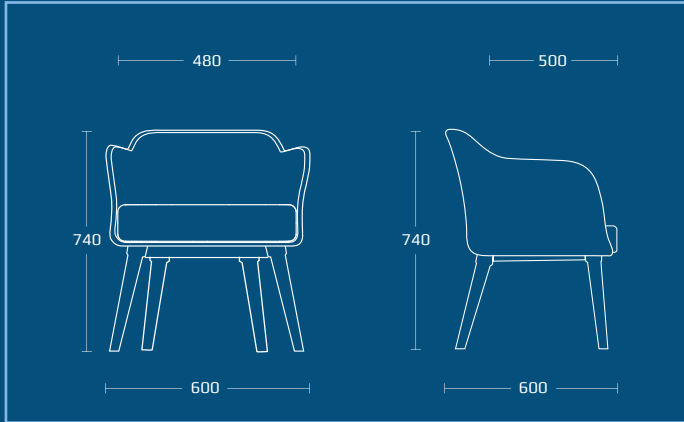


BL-WF

Polypropylene chair with upholstered seat pad and chrome sled frame

DIMENSIONS

WIDTH 600mm
 DEPTH 600mm
 SEAT HEIGHT 440mm
 OVERALL HEIGHT 730mm



PSI Seating Limited

Parkside Mill
 Walter Street
 Blackburn
 Lancashire
 BB1 1TL

Telephone: **01254 673400**

Fax: **01254 665571**

Email: sales@psiseating.co.uk

www.psiseating.co.uk

[/psiseating](https://www.facebook.com/psiseating)
[@psiseating](https://twitter.com/psiseating)
[/psi-seating](https://www.linkedin.com/company/psi-seating)
[@psiseating](https://www.instagram.com/psiseating)



Certificate Number 12877
 ISO 9001