

ERGO DESIGN<sup>®</sup>



ERGODYNAMIC<sup>®</sup>

An immensely comfortable posture chair with a vast array of standard features and optional additions. Ergo Dynamic® has a standard synchro mechanism, seat slide, seat tilt, inflatable lumbar support, 5D armrests and height adjustable backrest.

## Standard Features

- Synchro mechanism with independent forward seat tilt, back angle adjustment and multi-position lock
- Seat slide
- Inflatable lumbar support
- 5D height and width adjustable armrests with sliding and rotating arm pads
- Black nylon stiletto base

## Options

- Bases (CSB & BAB)
- Coccyx relief cut-out (CXC)
- Pressure relief memory foam (MFS)
- Two-tone seat panel (TTSP)
- 190KG conversion (190C)
- Inflatable sacral support (ISS)
- Inflatable DUO support (IDS)



ERGODYNAMIC - ED2-A5

ERGODYNAMIC - ED1-A5 CSB



Tested by scientists to perform\*

# OPERATING INSTRUCTIONS



- 1 SEAT TILT**  
Twist the paddle at the rear of the chair to free the tilt angle of the seat pan. Lock by pushing the paddle back in to place.
- 2 TENSION CONTROL**  
Rotate this handle clockwise to increase the tension of the seat and back tilt to suit the individual user.
- 3 GAS LIFT**  
Lift the middle paddle to operate the gas lift. Lifting will increase the chair height. If sitting whilst the lever is lifted the chair height will lower.
- 4 SEAT SLIDE**  
Pull this small handle under the seat to adjust the seat slide to your preferred position. Release to lock in position.
- 5 ARM PAD ROTATION & SLIDE**  
Grab the pad and twist left or right and push / pull forward, backward or side-to-side to achieve your desired arm pad position.
- 6 LOCKING TILT CONTROL**  
Lift this paddle to free the tilt angle of the back and seat to your preferred position. To lock in position push the lever back down.
- 7 ARM HEIGHT ADJUSTMENT**  
Press the button on the outside of the armrest and lift the armrest to your preferred position. Release the button to lock the armrest to your preferred height.
- 8 ARMREST WIDTH ADJUSTMENT**  
Turn and loosen the handwheels located under each armrest and pull the armrest away from the seat to your preferred position. Tighten the handwheels to lock the armrests in position.
- 9 ADJUSTABLE HEADREST**  
Lift the headrest upwards to your preferred height and angle if required to provide further neck support.
- 10 HEIGHT ADJUSTABLE RATCHET BACKREST**  
To move the backrest up and down lift until you hit your desired position. The backrest has 7 available settings that are indicated by a small clicking sound. Once the highest setting is surpassed, the backrest will reset to its lowest position.
- 11 INFLATABLE LUMBAR SUPPORT**  
To increase the support to the lumbar area of the chair, squeeze the hand bulb. To deflate, press the small button located near the bulb.  
**NEVER OVERINFLATE**



ERGO DYNAMIC®



**ED1-A5**

High back posture chair with headrest and 5D armrests

**DIMENSIONS**

WIDTH 650mm  
 DEPTH 650mm  
 SEAT HEIGHT 490mm  
 OVERALL HEIGHT 1220mm

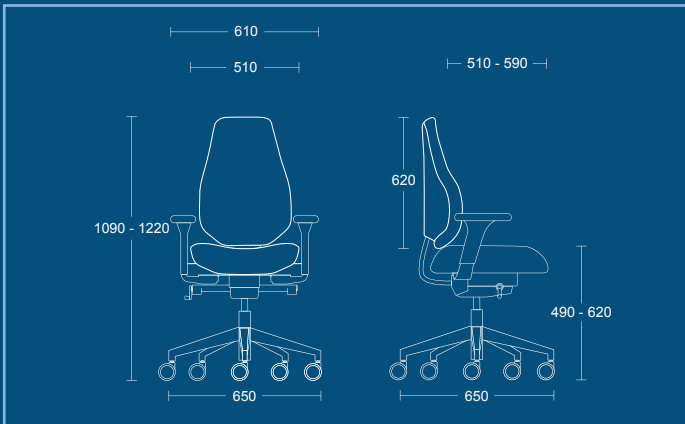
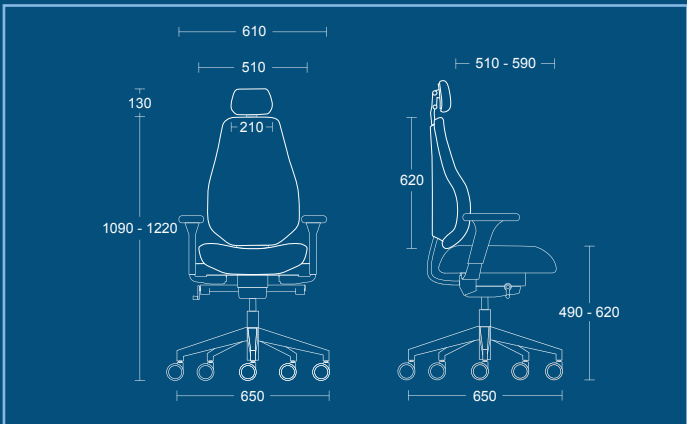


**ED2-A5**

High back posture chair with 5D armrests

**DIMENSIONS**

WIDTH 650mm  
 DEPTH 650mm  
 SEAT HEIGHT 490mm  
 OVERALL HEIGHT 1090mm



**Ergo Design®**

Parkside Mill  
 Walter Street  
 Blackburn  
 Lancashire  
 BB1 1TL

Telephone: **01254 673400**

Email: [sales@ergodesign.org](mailto:sales@ergodesign.org)

[www.ergodesign.org](http://www.ergodesign.org)

[f /ergodsgn](https://www.facebook.com/ergodsgn) [t @ergodsgn](https://twitter.com/ergodsgn) [in /ergodsgn](https://www.linkedin.com/company/ergodesign) [i @ergodsgn](https://www.instagram.com/ergodsgn)



Certificate Number 12877  
 ISO 9001