



APEX POSTURE

APEX POSTURE

An attractive heavy-duty chair, ergonomically designed to ensure correct posture, whilst reducing the risk of stress or injury to muscles and joints during prolonged use.

Standard Features

- Synchro mechanism with independent forward seat tilt, back angle adjustment and multi-position lock
- Seat slide
- Inflatable lumbar support
- 4D height and width adjustable armrests with sliding and rotating arm pads
- Black nylon stiletto base

Options

- Chrome Stiletto Base (CSB)
- Coccyx relief cut-out (CXC)
- Pressure relief memory foam (MF)
- Two tone upholstery panel (BP)



APEX POSTURE - AP2-A4

APEX POSTURE - AP1-A4 CSB



Tested by scientists to perform*

*In a study performed at the University of Central Lancashire, our APEX POSTURE chair was found to improve spinal alignment and reduce peak seating pressure

APEX POSTURE



AP1

High back posture chair with headrest.

DIMENSIONS

WIDTH 650mm
 DEPTH 650mm
 SEAT HEIGHT 490mm
 SEAT HEIGHT 600mm
 OVERALL HEIGHT 1190mm
 OVERALL HEIGHT 1310mm



AP2

High back posture chair.

DIMENSIONS

WIDTH 650mm
 DEPTH 650mm
 SEAT HEIGHT 490mm
 SEAT HEIGHT 600mm
 OVERALL HEIGHT 1070mm
 OVERALL HEIGHT 1180mm

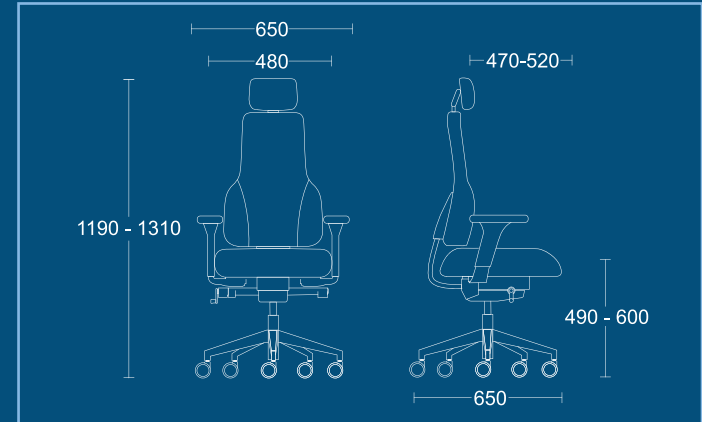
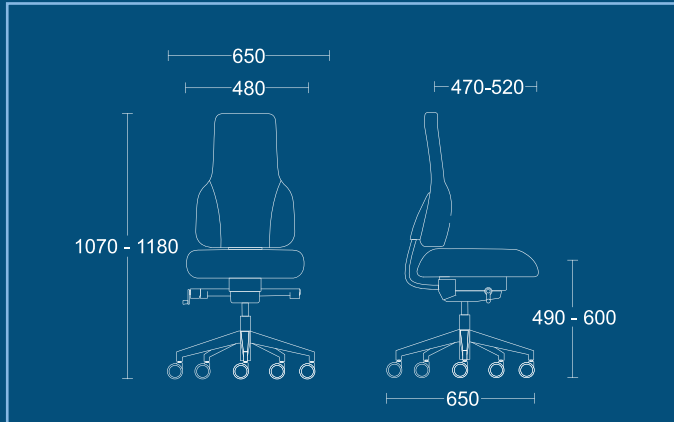
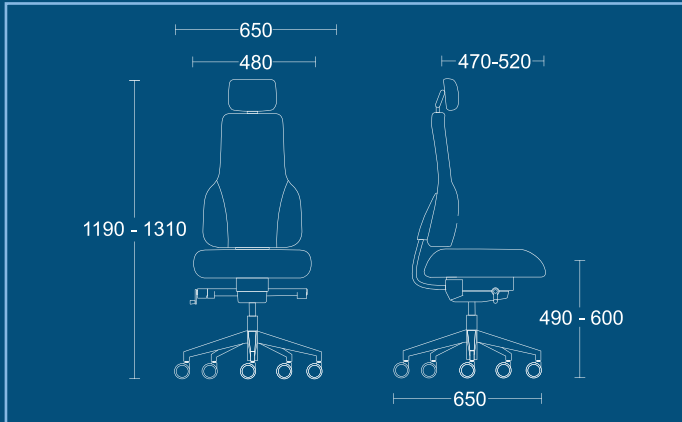


AP1-A4

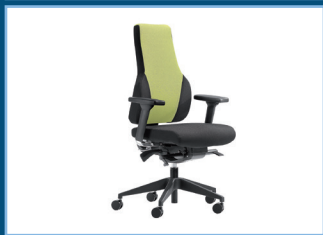
High back posture chair with headrest and 4D armrests.

DIMENSIONS

WIDTH 650mm
 DEPTH 650mm
 SEAT HEIGHT 490mm
 SEAT HEIGHT 600mm
 OVERALL HEIGHT 1190mm
 OVERALL HEIGHT 1310mm



APEX POSTURE

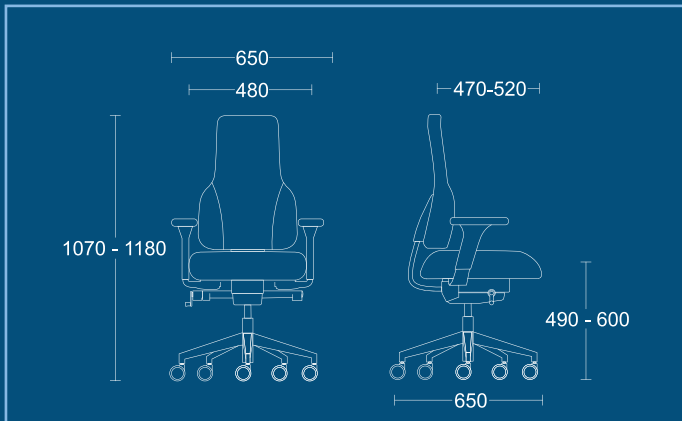


AP2-A4

High back 24 hour armchair with 4D armrests.

DIMENSIONS

WIDTH 650mm
 DEPTH 650mm
 SEAT HEIGHT 490mm
 SEAT HEIGHT 600mm
 OVERALL HEIGHT 1070mm
 OVERALL HEIGHT 1180mm



PSI Seating Limited

Parkside Mill
 Walter Street
 Blackburn
 Lancashire
 BB1 1TL

Telephone: **01254 673400**

Fax: **01254 665571**

Email: sales@psiseating.co.uk

www.psiseating.co.uk

[/psiseating](https://www.facebook.com/psiseating)
[@psiseating](https://twitter.com/psiseating)
[/+psiseating](https://www.google.com/+psiseating)
[/psiseating](https://www.instagram.com/psiseating)



Certificate Number 12877
 ISO 9001